



LMS-Z200 Series

Stereo Microscope System

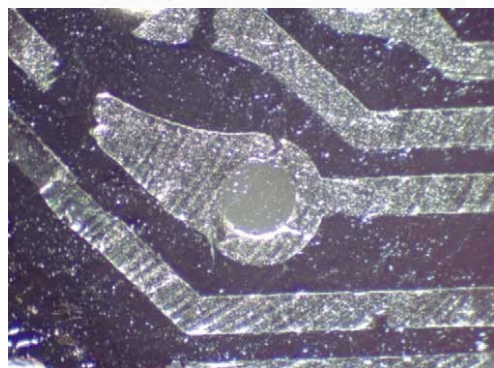
6.4:1 Zoom Ratio

Modular design to fit your application



Multiple Base Options

The LMS-Z200 series features a 6.4:1 zoom range in a compact zoom body ideal for routine applications and academia. The Greenough optical design provides parfocal, flat and high resolution zoom optics at an entry level price point



Optics

Binocular and Trinocular viewing heads available.

Features

- High eyepoint widefield eyepieces
- Diopter adjustable eyetubes (± 5)
- Interpupillary adjustment (54mm - 76mm)
- 45° eyetubes for comfortable viewing
- Greenough optical design



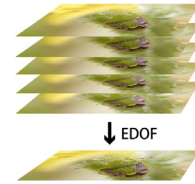
LMSP-Z220H



LMSP-Z230H

Documentation and Analysis

Choose a SeBaCam Digital Camera to add imaging capabilities to your system. Easily document, compare, and analyze samples. The user-friendly SeBaView software includes many advanced features including extended depth of focus.



MZS32 LED BF Stand and
MZS33 LED BF and FL Stand

Expand magnification with auxiliary objectives

Four auxiliary objectives 0.5X/0.7X/1.5X/2X available to expand magnification from 3.5X to 180X.



AMPS-ILED-30W
LED illuminator
BF and FL

Unique illumination options available

Choose from a range of illumination stands with integrated illumination or add external illuminators to plain stands and boom stand configurations. Transmitted, reflected, and LED fluorescence options are available.



Stand Options



LS100 Plain stand



LS200/200LED
Transmitted/
Reflected stand.
Halogen or LED



LS300LED Low
Profile Transmitted/
Reflected stand



MZS32/33 Advanced
Transmitted/Reflected stand
BF or FL



T10 Large Plain
Track Stand



T40 LED
Transmitted/Reflected
BF Stand



BS100 Single
Arm Boom Stand



BS200 Dual Arm
Boom Stand

Optical Specifications

Eyepiece	Standard Objective WD100mm		0.5X Auxiliary Objec- tive WD 165mm		1.5X Auxiliary Objec- tive WD 45mm		2X Auxiliary Objective WD 30mm	
	Mag	FOV (mm)	Mag	FOV (mm)	Mag	FOV (mm)	Mag	FOV (mm)
10X/22mm	7.0X	28.6	3.5X	57.1	10.5X	19	14X	14.3
	45.0X	4.4	22.5X	8.9	67.5X	3	90X	2.2
15X/15mm	10.5X	21.1	5.25X	42.8	15.75	14.3	21X	10.7
	67.5X	3.3	33.75X	6.7	101.25X	2.2	135X	1.7
20X/10MM	14.0X	14.3	7.0X	28.6	21.0X	9.5	28X	7.1
	90.0X	2.2	45.0X	4.4	135.0X	1.5	180X	1.1

Specifications

Viewing Head	45° inclined binocular head with diopter adjustable eyepiece tubes, interpupillary range: 54mm - 75mm, integrated click-stops
	45° inclined trinocular head with diopter adjustable eyepiece tubes, interpupillary range: 54mm - 75mm, light split 50:50, integrated click stops
Eyepiece	High eye-point wide field plan eyepiece PL10X/20mm
	High eye-point wide field plan eyepiece PL15X/15mm
	High eye-point wide field plan eyepiece PL20X/10mm
Main Objective	Zoom objective 0.70X - 4.5X, working distance: 100mm
Magnification	7.0X - 45X (w/ 10x eyepieces)
Auxiliary Objective	0.5X/165mm, 0.7X/105mm, 1.5X/45mm, 2.0X/30mm
Stand	Multiple stand options available
Camera adapter	0.35X/0.5X/0.65X/1X C-mount adapter
Accessories	Precision measuring stage, gem clip

LMS-Z200 SERIES



SPECIFICATION

Part	Description	LMS-Z220-LS100	LMS-Z230-LS100	LMS-Z220-LS200	LMS-Z230-LS200
EYEPIECE	High eye-point wide field plan eyepiece PL10X/20mm	•	•	•	•
OBJECTIVE	Zoom objective 0.70X - 4.5X, working distance: 100mm	•	•	•	•
HEAD TYPE	45° inclined binocular head with diopter adjustable eyepiece tubes, interpupillary range: 52mm - 76mm	•		•	
	45° inclined trinocular head with diopter adjustable eyepiece tubes, interpupillary range: 52mm - 76mm, light split 50:50		•		
STAND	LS-100 compact plain base	•	•		
	LS-200 compact halogen base, transmitted and reflected illumination			•	
	LS-200LED compact LED base, transmitted and reflected illumination				
	LS-300 compact, low-profile LED Base, transmitted and reflected illumination				
	B100 single arm boom stand, LED dual gooseneck illuminator				
	B200 dual arm ball bearing boom stand, LED dual gooseneck illuminator				
	T10 large plain base				
	T40 large LED base, transmitted and dual gooseneck light guides				
	MZS32 advanced LED base, transmitted BF and edge, dual gooseneck light guides (interchangeable LED modules available)				
MZS33 advanced LED base for fluorescence, transmitted BF and edge, dual gooseneck light guides (interchangeable LED modules available), reflected fluorescence illumination					

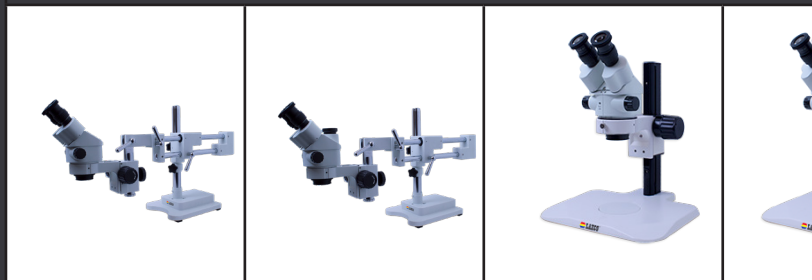
Standard Configurations



MODEL

S-Z230-LS200	LMS-Z220-LS200LED	LMS-Z230-LS200LED	LMS-Z220-LS300	LMS-Z230-LS300	LMS-Z220-B100	LMS-Z230-B100
•	•	•	•	•	•	•
•	•	•	•	•	•	•
	•		•		•	
•		•		•		•
•						
	•	•				
			•	•		
					•	

LMS-Z200 SERIES



SPECIFICATION

Part	Description	LMS-Z220-B200	LMS-Z230-B200	LMS-Z220-T10	LMS-
EYEPIECE	High eye-point wide field plan eyepiece PL10X/20mm	•	•	•	
OBJECTIVE	Zoom objective 0.70X - 4.5X, working distance: 100mm	•	•	•	
HEAD TYPE	45° inclined binocular head with diopter adjustable eyepiece tubes, interpupillary range: 52mm - 76mm	•		•	
	45° inclined trinocular head with diopter adjustable eyepiece tubes, interpupillary range: 52mm - 76mm		•		
STAND	LS-100 compact plain base				
	LS-200 compact halogen base, transmitted and reflected illumination				
	LS-200LED compact LED base, transmitted and reflected illumination				
	LS-300 compact, low-profile LED Base, transmitted and reflected illumination				
	B100 single arm boom stand, LED dual gooseneck illuminator				
	B200 dual arm ball bearing boom stand, LED dual gooseneck illuminator	•	•		
	T10 large plain base			•	
	T40 large LED base, transmitted and dual gooseneck light guides				
	MZS32 advanced LED base, transmitted BF and edge, dual gooseneck light guides (interchangeable LED modules available)				
	MZS33 advanced LED base for fluorescence, transmitted BF and edge, dual gooseneck light guides (interchangeable LED modules available), reflected fluorescence illumination				

Standard Configurations



MODEL						
Z230-T10	LMS-Z220-T40	LMS-Z230-T40	LMS-Z220-MZS32	LMS-Z230-MZS32	LMS-Z220-MZS33	LMS-Z230-MZS33
•	•	•	•	•	•	•
•	•	•	•	•	•	•
	•		•		•	
•		•		•		•
•						
	•	•				
			•	•		
					•	•

ACCESSORIES

EYEPIECES

Part #	Description
LMSP-WH10X20	WF HP PL 10x Eyepiece, 20mm FOV
LMSP-WH15X15	WF HP PL 15x Eyepiece, 15mm FOV
LMSP-WH20X10	WF HP PL 20x Eyepiece, 10mm FO- V16mm FOV

SUPPLEMENTAL LENSES

Part #	Description
LMSP-Z200-SL050	0.5X auxiliary objective lens, working distance 165mm.
LMSP-Z200-SL075	0.75X auxiliary objective lens. Working distance 105mm.
LMSP-Z200-SL150	1.5X auxiliary objective lens. Working distance 45mm.
LMSP-Z200-SL200	2.0X auxiliary objective lens. Working distance 30mm.

LED Dual Gooseneck Illuminator

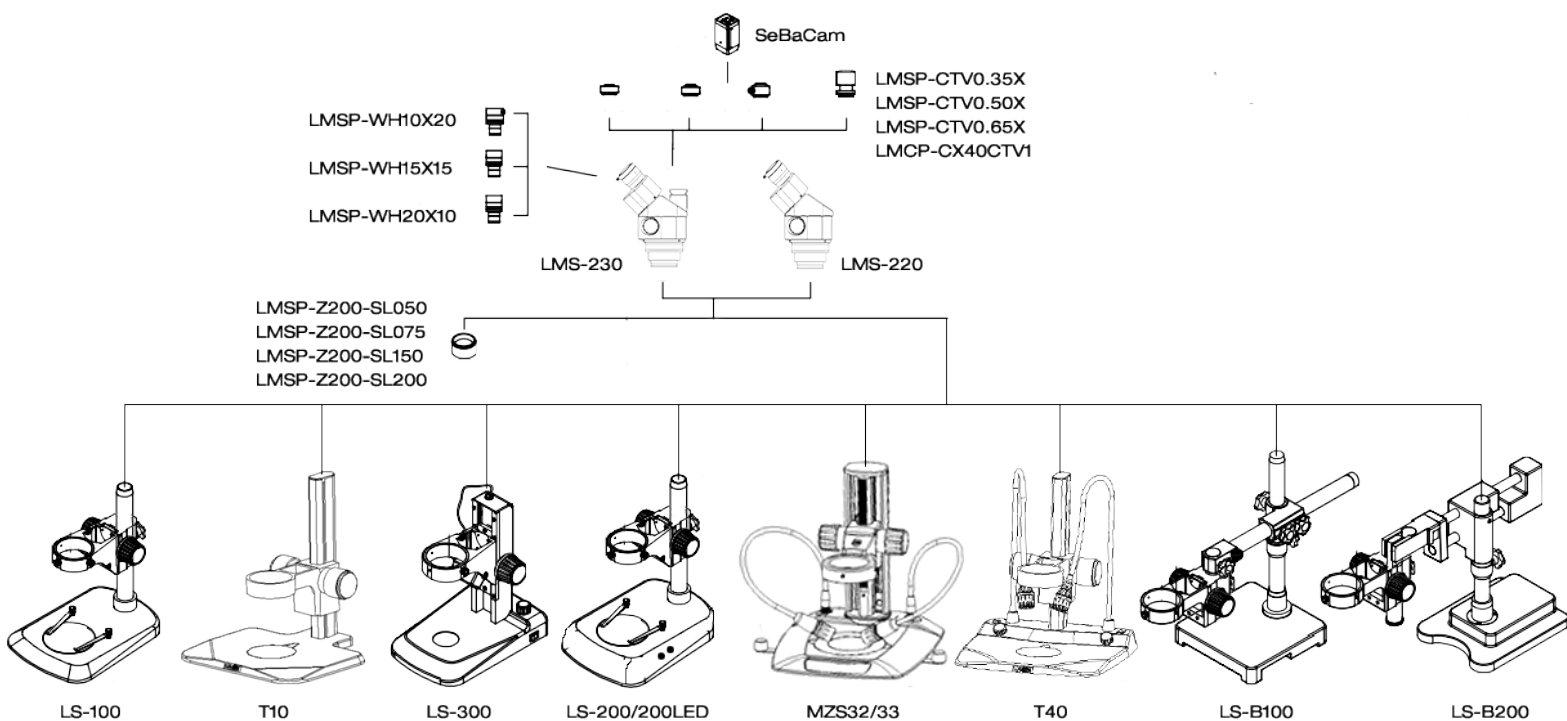
Part #	Description
AMPS-ILED-30W	LED Dual Gooseneck Illuminator with weighted base, white LED
LMSP-365	LED Module, 3W, 365nm, UV
LMSP-460	LED Module, 3W, 460nm, Blue
LMSP-520	LED Module, 1W, 520nm, Green
LMSP-630	LED Module, 3W, 630nm, Red
LMSP-730	LED Module, 1W, 730nm, IR

C-MOUNT CAMERA ADAPTERS

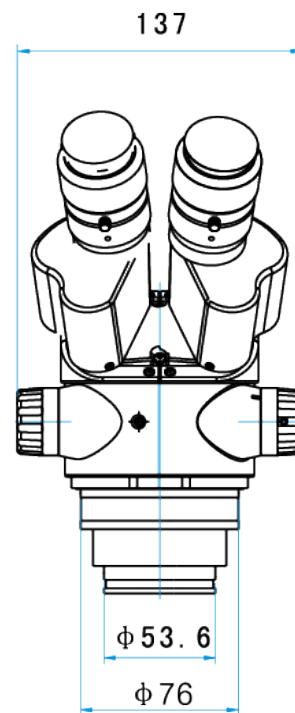
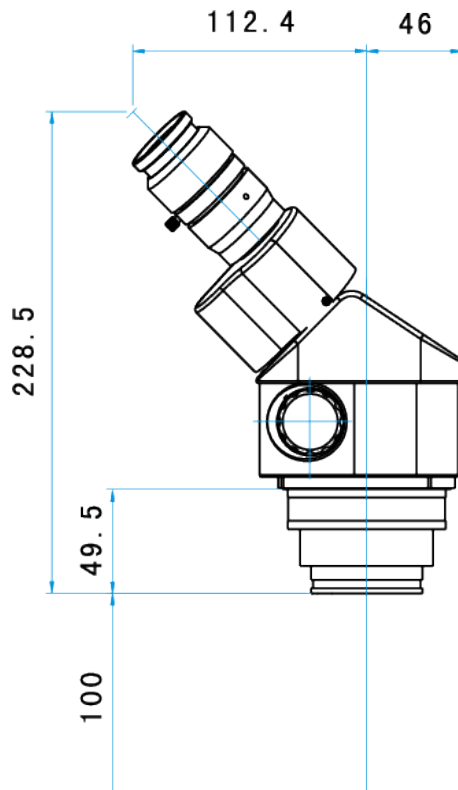
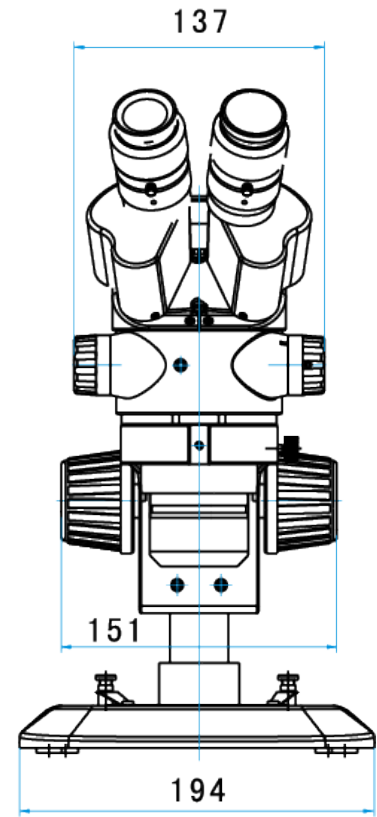
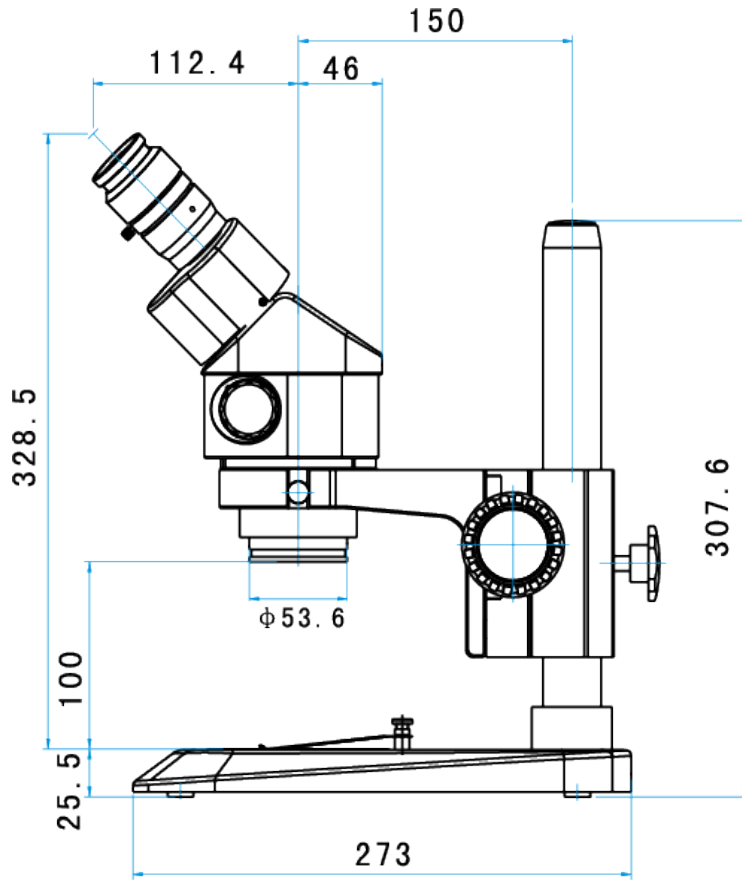
Part #	Description
LMSP-CTV0.35X	0.35X camera tube, C-mount interface, adjustable focus
LMSP-CTV0.50X	0.5X camera tube, C-mount interface, adjustable
LMSP-CTV0.65X	0.65X camera tube, C-mount interface, adjustable focus
LMCP-CX40CTV1	1X camera tube, C-mount interface, adjustable

CAMERAS

Part #	Description
SeBaCam5C	5MP Digital Color Camera, CMOS, w/ SeBaView Imaging Software
SeBaCam10C	10MP Digital Color Camera, CMOS, w/ SeBaView Imaging Software
SeBaCam14C	14MP Digital Color Camera, CMOS, w/ SeBaView Imaging Software
SeBaCamCool1.4C SeBaCamCool1.4M	1.4MP Digital Camera, CCD, w/ SeBaView Imaging Software. Available in Color and Monochrome



DIMENSIONS



A Microscope for Everyone



© 2017 Thermo Fisher Scientific Inc. All rights reserved.
Trademarks used are owned as indicated at fishersci.com/trademarks

In the United States:

For customer service, call 1-800-766-7000
To fax an order, use 1-800-926-1166
To order online: fishersci.com

In Canada:

For customer service, call 1-800-234-7437
To fax an order, use 1-800-463-2996
To order online: fishersci.ca

